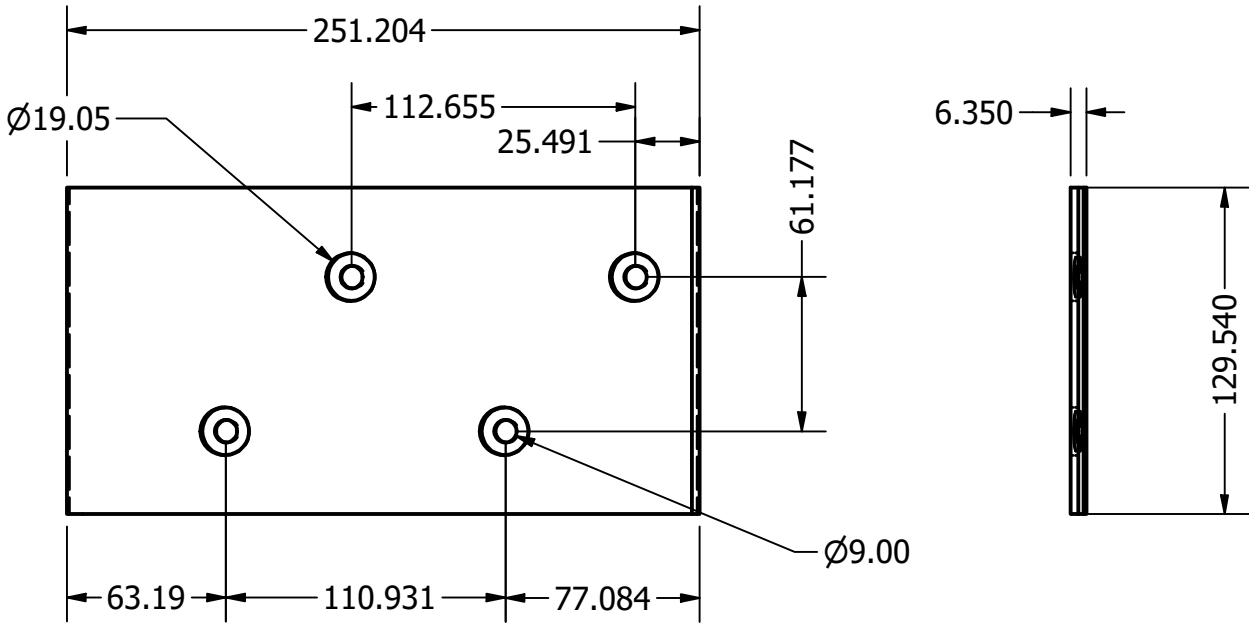
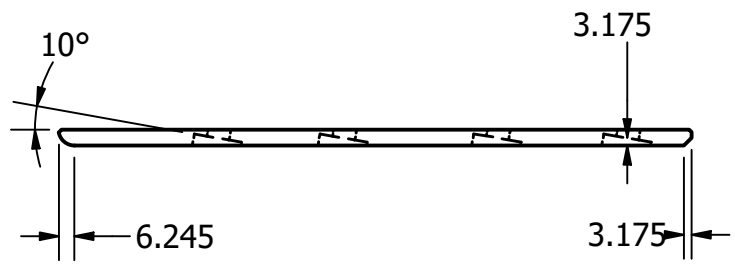
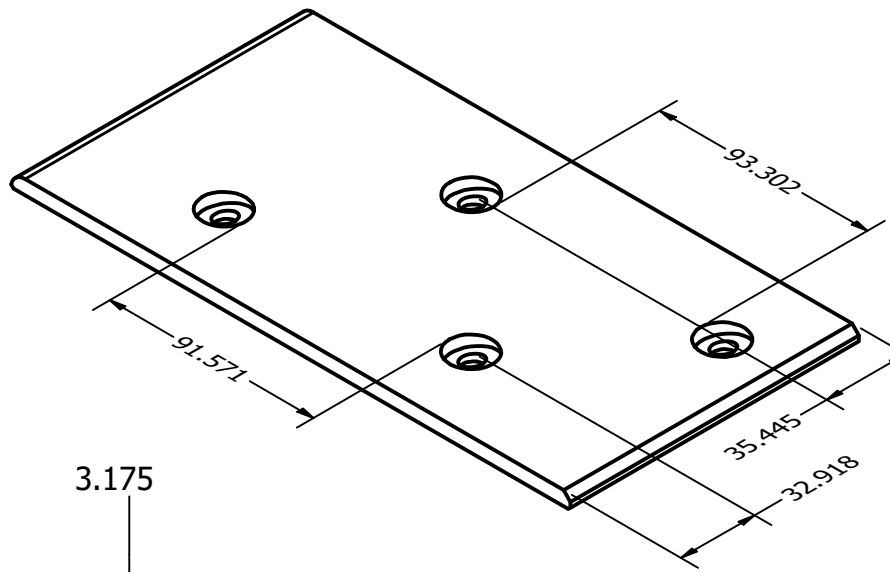


2

1

B

B



A

A

DRAWN	Roland	5/8/2026			
CHECKED			TITLE		
MEASUREMENT:	Millimeters (mm)		Bolt Clamp Plate		
MFG					
APPROVED					
	SIZE	A	DWG NO	Bolt Plate R2	REV
			SHEET 1 OF 1		

2

1

