

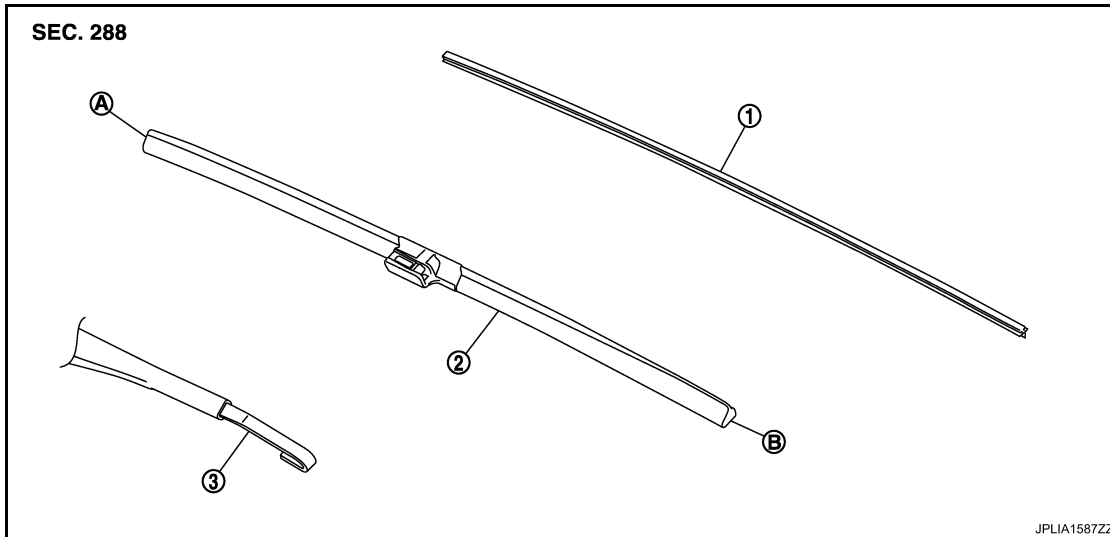
WIPER BLADE

< REMOVAL AND INSTALLATION >

WIPER BLADE

Exploded View

INFOID:000000004702072



- | | | |
|--------------------|--------------------|--------------|
| 1. Wiper refill | 2. Wiper blade | 3. Wiper arm |
| A. Wiper blade end | B. Wiper blade tip | |

Removal and Installation

INFOID:000000004702073

REMOVAL

Remove the wiper blade from the wiper arm.

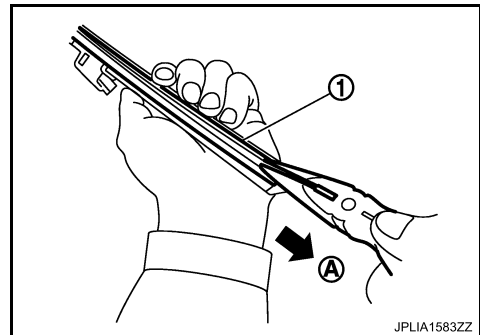
INSTALLATION

Install the front wiper blade to the wiper arm.

Replacement

INFOID:000000004702074

1. Hold the rip of old wiper refill (1) at the rear end of the wiper blade with long-nose pliers, and pull out the wiper refill to the direction (A).

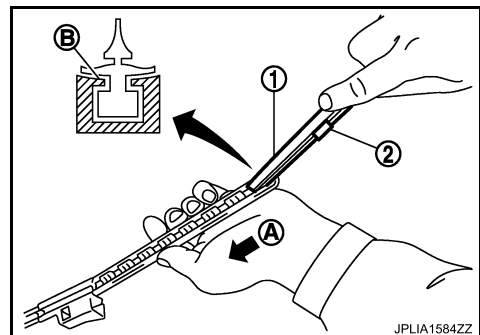


2. Insert the tip of new wiper refill (1) into the rear end of wiper blade. Slide the wiper refill to the direction (A) while pressing the wiper refill onto the wiper blade rear end.

NOTE:

- Insert the wiper refill to be held securely by tab (B) of wiper blade.
- After the wiper refill is fully inserted, remove the holder* (2).

*: Attached to service parts.



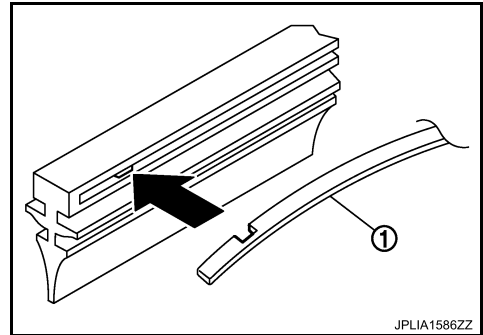
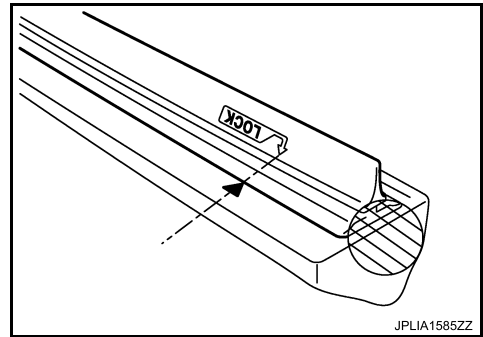
WIPER BLADE

< REMOVAL AND INSTALLATION >

3. Inert the wiper refill until the stopper at the rear end of wiper refill fits in the tab. Check that "LOCK" mark on wiper refill is aligned with "▼" mark on wiper blade.
4. Untwist the twisted wiper refill (▨) at the rear end of wiper blade, if any.
5. Check the following items after replacing wiper refill.
 - Wiper refill is not twisted at all.
 - Wiper refill thoroughly fits in the tab on wiper blade.
 - Wiper refill is inserted from the proper direction.

NOTE:

- When the vertebra is detached.
- Insert the vertebra (1) into the wiper blade to the same bending direction.
 - If a vertebra has a notch, fit it to a protrusion inside the wiper refill.



A
B
C
D
E
F
G
H
I
J
K
M
N
O
P

WW