

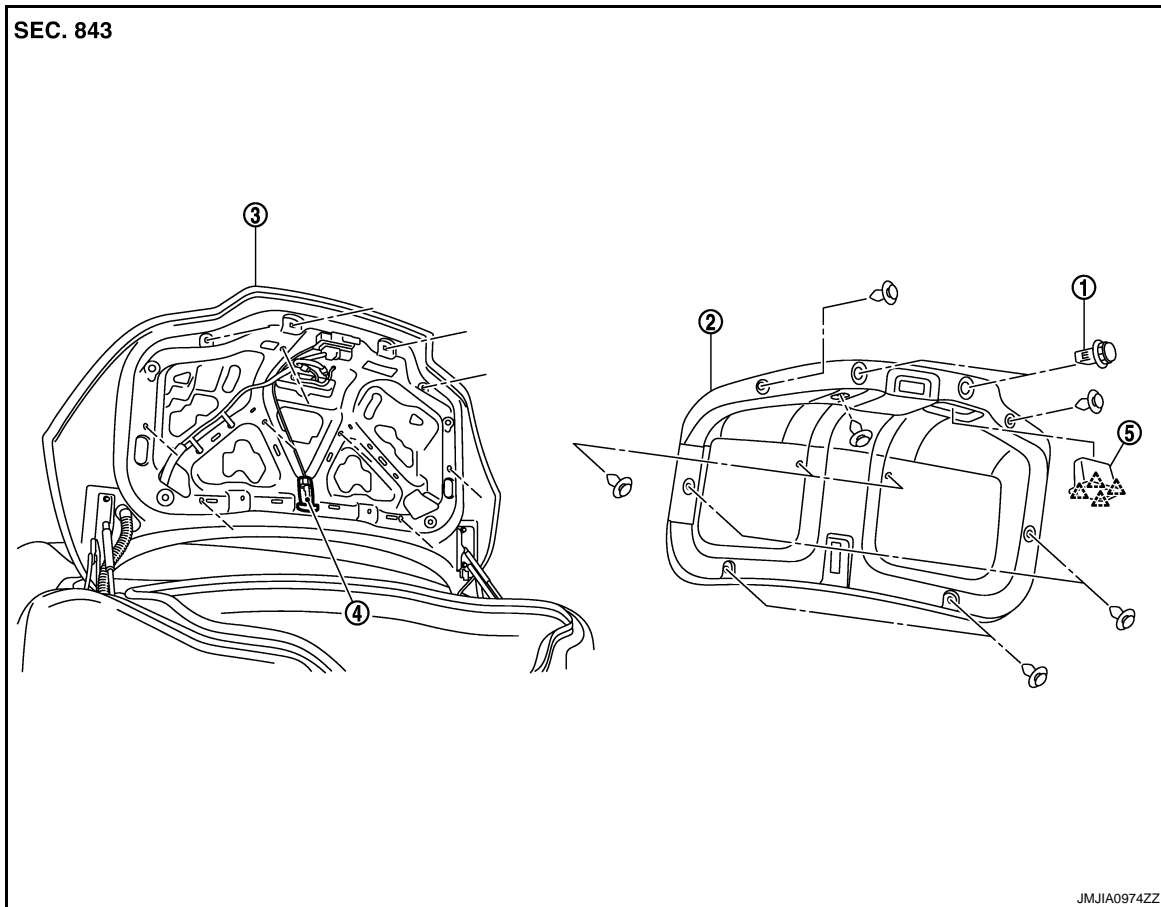
TRUNK LID TRIM

< ON-VEHICLE REPAIR >

TRUNK LID TRIM

Exploded View

INFOID:000000001722854



A
B
C
D
E
F
G
H
I

INT

K

L

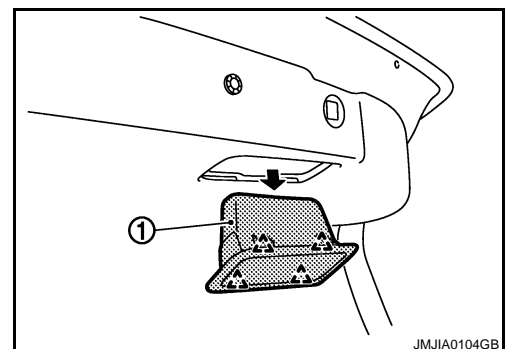
Removal and Installation

INFOID:000000001722855

REMOVAL

1. Fully open trunk lid assembly.
2. Remove trunk lid bumper rubber. Refer to [DLK-223, "TRUNK LID ASSEMBLY : Exploded View"](#).
3. Remove trunk lid pull handle (1).

△ : Pawl



M

N

O

P