

# STARTING SYSTEM

< SYSTEM DESCRIPTION >

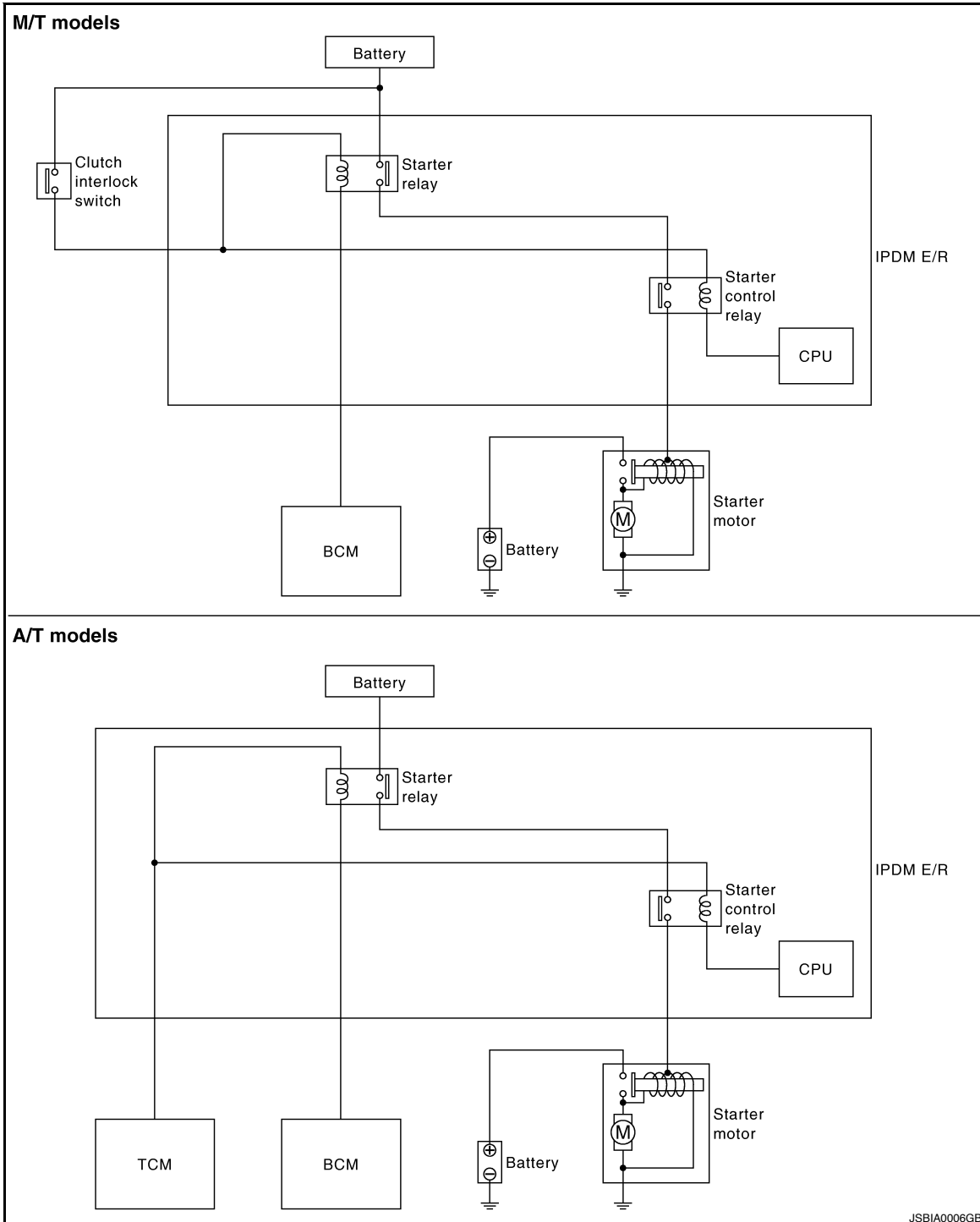
## SYSTEM DESCRIPTION

### STARTING SYSTEM

#### System Diagram

INFOID:000000005658009

STR



C

D

E

F

G

H

I

J

K

L

M

N

O

P

#### System Description

INFOID:000000005658010

The starter motor plunger closes and provides a closed circuit between the battery and starter motor. The starter motor is grounded to the engine block. With power and ground supplied, cranking occurs and the engine starts.